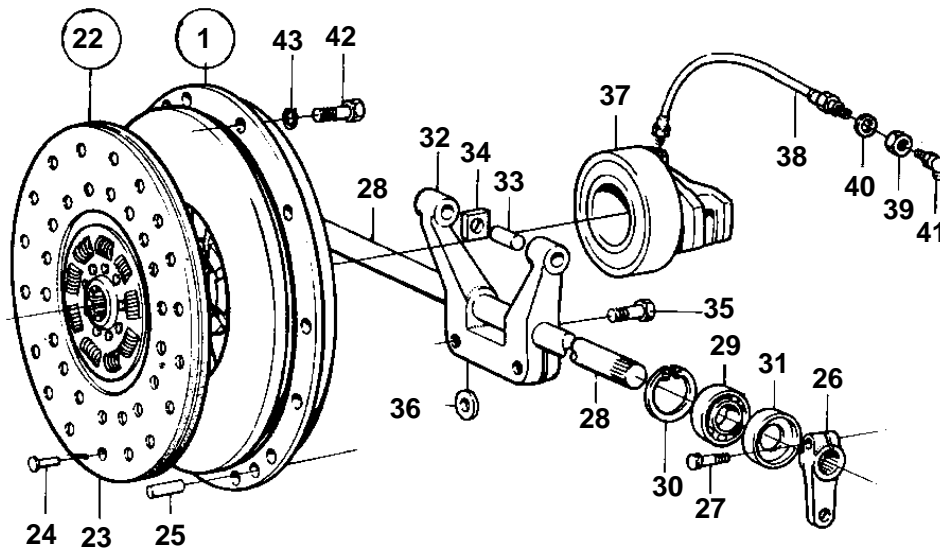
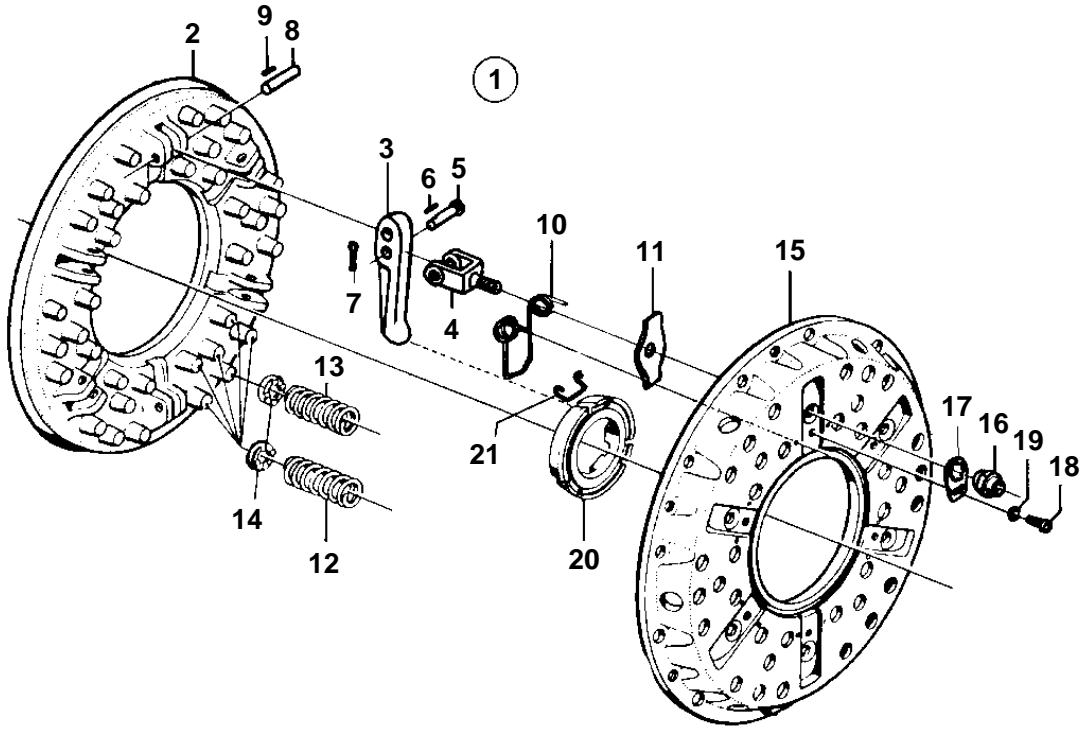


D100A,D100B



3295

D100A,D100B

REF	PART NO.	QTY	DESCRIPTION	NOTES
1	346319	1	Clutch	14" - BORG AND BECK SER.60114A.
2	347209	1		
3	347210	6	• Lever	
4	347211	6	• Fork	
5	347212	6		
6	347213	144		
7	907824	6	• Cotter pin	
8	347214	6		
9	347213	144		
10	347215	6		
11	347216	6		
12	347217	30		
13	347218	6		
14	347219	36		
15	347220	1		
16	347221	6		
17	347222	6		
18	956075	6	• Screw	
19	941905	6	• Spring washer	
20	347223	1		
21	347224	3		
22	346320	1	Disc	
	275936	1		(275913)
23		2	• • FACING	
24		36	• • RIVET	
25	941869	2	Locating pin	
26	954707	1	Lever	
	954847	1		D42A PP SPEC.16053.
27	941795	1	Screw	
28	346796	1	Shaft	
29	181409	2	Bearing	
30	914526	2	Snap ring	
31	191875	4	Seal	
32	327932	1	Release fork	
	346806	1	Release fork	D42A PP SPEC.16053.
33	131413	2		
34	346524	2		
	346524	2		D42A PP SPEC.16053.
35	955562	2	Screw	
36	31337	1	Ring key	
37	267158	1	Bearing	
38	353059	1	Lubricating hose	
39	955793	1	Nut	
40	941912	1	Spring washer	
41	914134	1	Lubricator	
42	940115	12	Screw	
43	942336	12	Spring washer	